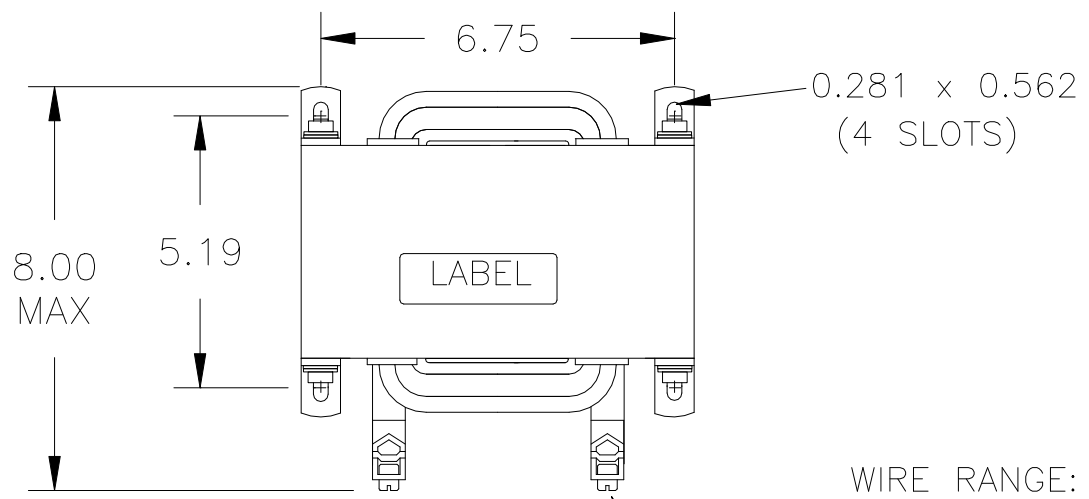


INDUCTANCE	LOSSES	WEIGHT
0.85 mH	96 Watts	54 Lbs

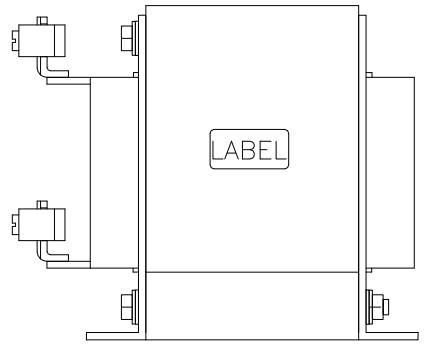
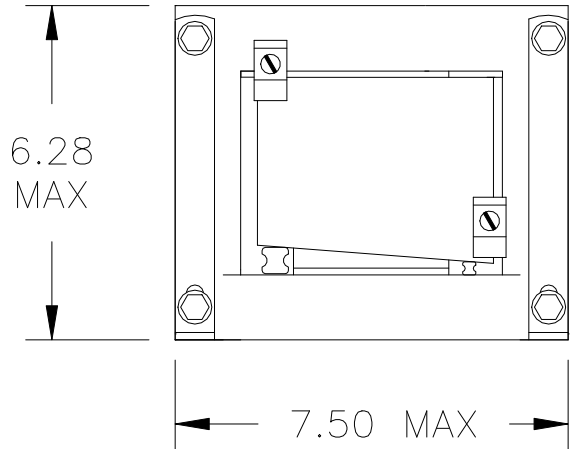
NO.	CHANGE DESCRIPTION	BY	DATE	C'K'D
05	REVISED PER ECR 7175, ADDED CD	RS	8/23/10	

FILE:



WIRE RANGE: 6-0 AWG

CAUTION-TERMINAL SCREW TIGHTENING
 TORQUE: 6-4 (45) in-lb MAX.
 2-0 (50) in-lb MAX.



UNLESS OTHERWISE SPECIFIED, DIMENSIONS ARE IN INCHES [mm] AND TOLERANCES ARE:

- DECI. ± 0.030
- FRAC. ± 1/8
- ANGLES ± 1°
- DRILLED HOLES ± 0.010

PART NAME:	DC LINK CHOKE
DESCRIPTION:	OUTLINE DIMENSION
FINISH:	

MTE CORPORATION MENOMONEE FALLS, WISCONSIN			
CD 125RB004			REV. 05
SCALE	NTS	DATE 07/10/98	C'K'D
REF.	DR. BY	AJU	APP'D